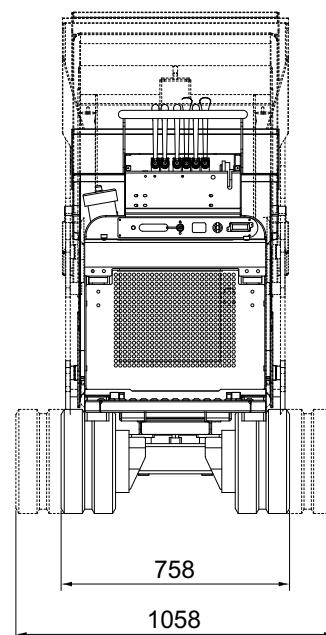
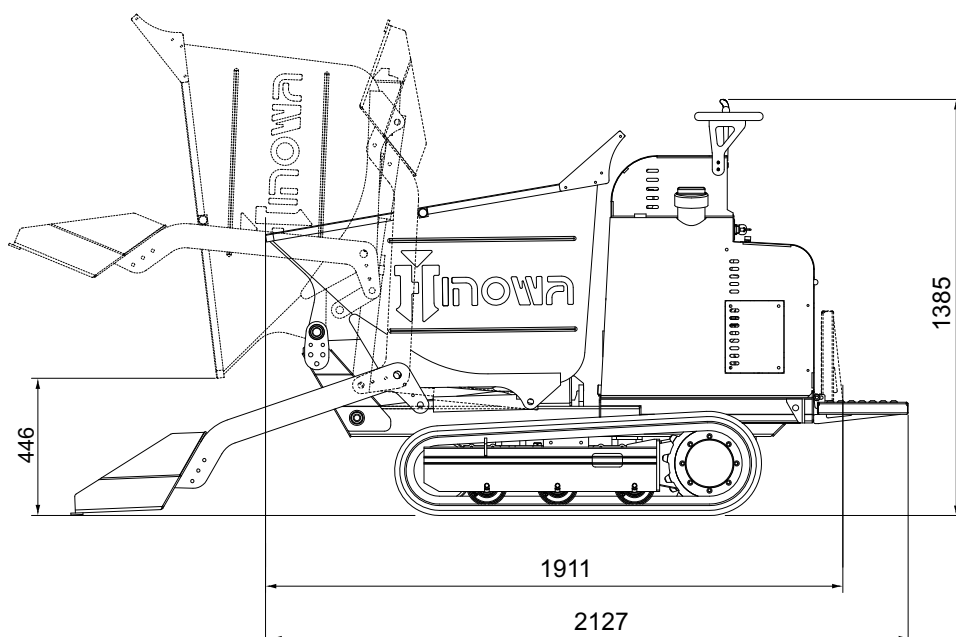


# MINIDUMPER



## HS1102 SELF-LOADING VERSION





# MINIDUMPER

## HS1102 SELF-LOADING VERSION

### DIESEL ENGINE

Brand and type .....KUBOTA Z 602  
Pistons and displacement .....double cylinder 599 cc  
Max gross power .....14,5 HP - 10,8 kW @ 3600 rpm  
Starting .....electric 12 volt  
Fuel tank .....9 liters

### DISTRIBUTOR

Type ..... mechanical

### HYDRAULIC PUMPS

Number and type .....n° 3 gear pumps

### TRACKS

Track tensioner.....grease  
Track width .....180 mm  
Rollers per side.....3 + slide  
Undercarriage width open/close .....758 - 1058 mm

### PERFORMANCE

Translation speed .....2,5 - 4,1 km/h  
Max. inclination .....20° (36,4%)  
Granted noise level .....Lwa 101 dB

CAPACITY .....700 kg

### DUMPER BED CAPACITY

Rated volume (ISO 6483) .....0,34 m<sup>3</sup>  
Struck volume .....0,29 m<sup>3</sup>

### OPERATING WEIGHT (without operator)

Fixed/widening undercarriage.....720 kg / 800 kg